

TOP-V8/EXT4

*Extender with constant voltage 12-36 VDC,
for "Top-V8/4", "Top-V8/RGBW", "Top-V8/CCT2".
4 out, max 8A (max total 24A)*



INDEX

1 - PRODUCT FEATURES

1.1 - TECHNICAL DATA

1.2 - DESCRIPTION

2 - ELECTRICAL CONNECTIONS INPUT 1

2.1 - CONNECTION DIAGRAM

2.2 - DESCRIPTION OF CONNECTIONS

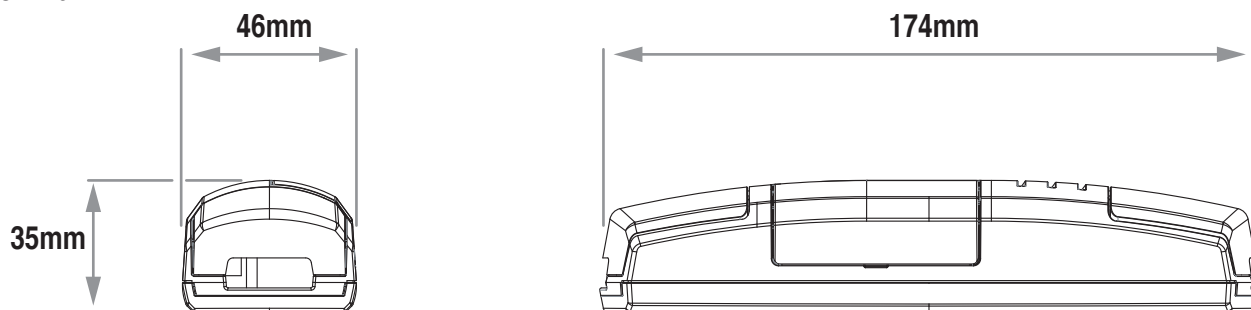
3 - USE OF THE CONTROL UNIT

1 - PRODUCT FEATURES

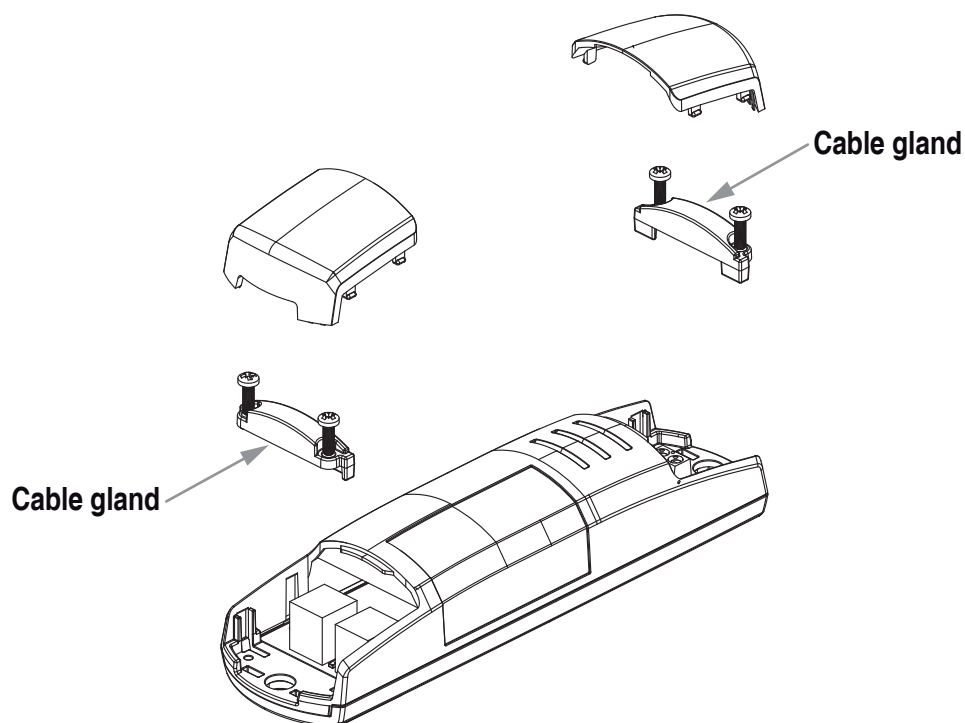
1.1 TECHNICAL DATA

Power supply	12-36 Vdc
Output	Carico max 8A per canale (totale max24A)
Type of load	LED with constant voltage
Connection system master/slave/slave	6-pole RJ11 cable with crossed connection
Max lenght connection	Max. total length between master and extender 50m
Protection rating	IP20
Operating temperature	-20 +55 °C
Dimensions	174x46x35 mm

Picture 1.1a



Picture 1.1b



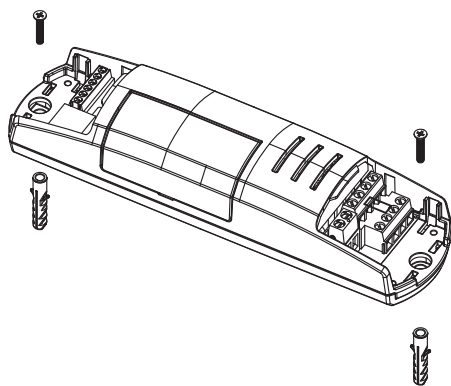
1.2 DESCRIPTION

Top-V8/EXT4 is an electronic control unit for the repetition of commands from control units in the “Top-V8/4”, “Top-V8/RGBW”, “Top-V8/CCT2” range.

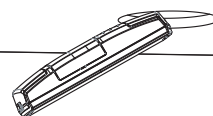
The ISM (industrial, scientific and medical) radio frequency band guarantees a long range, even through walls and ceilings.

Programming via the display is quick and intuitive while its compact size means it can be easily installed in false ceilings (see pic. 1.2b) and interconnection boxes (see pic. 1.2c).

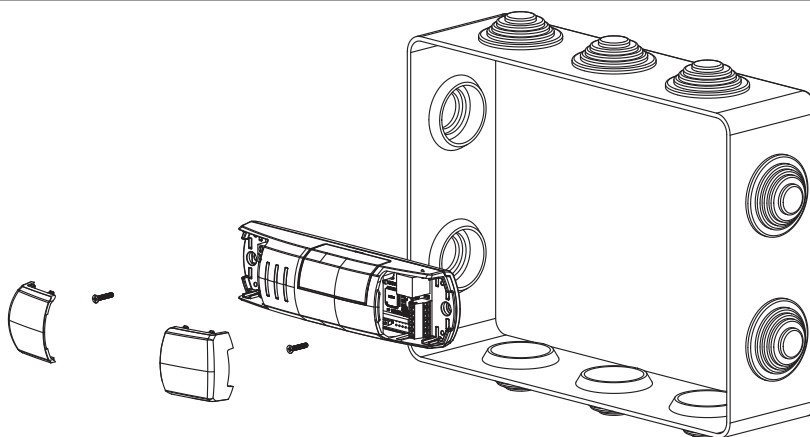
Pic. 1.2a



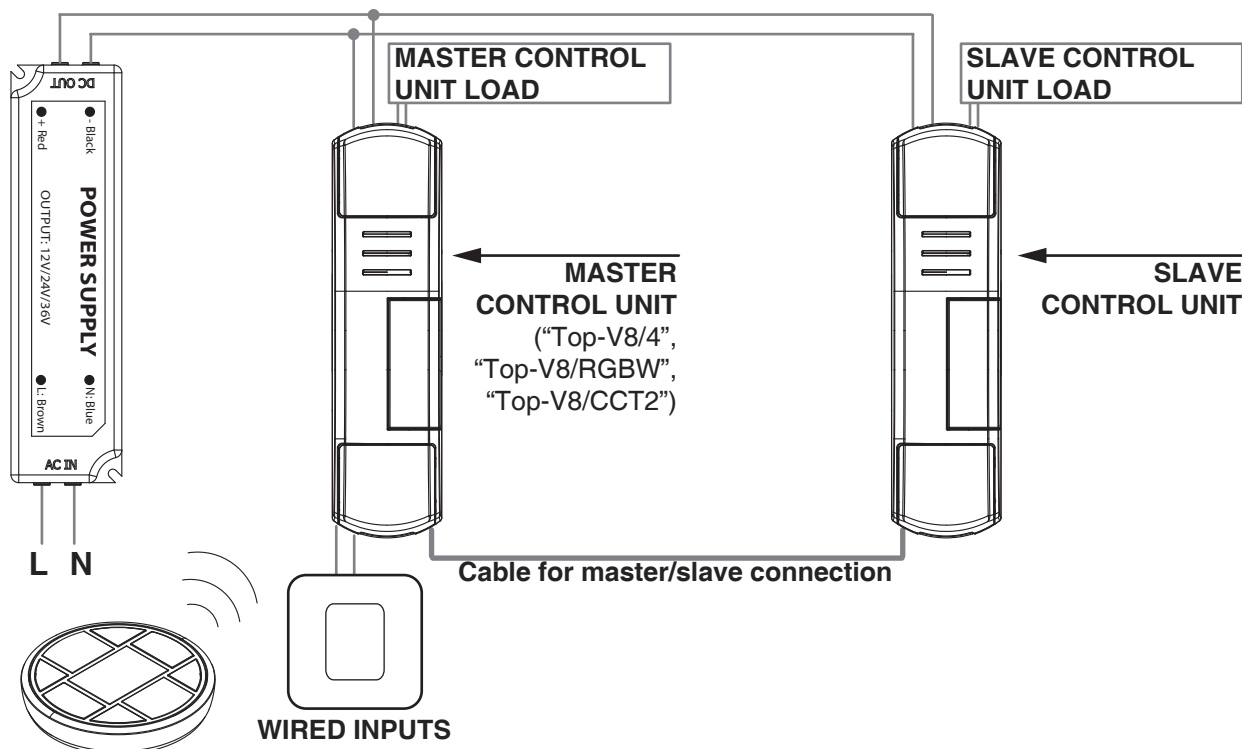
Pic. 1.2b



Pic. 1.2c



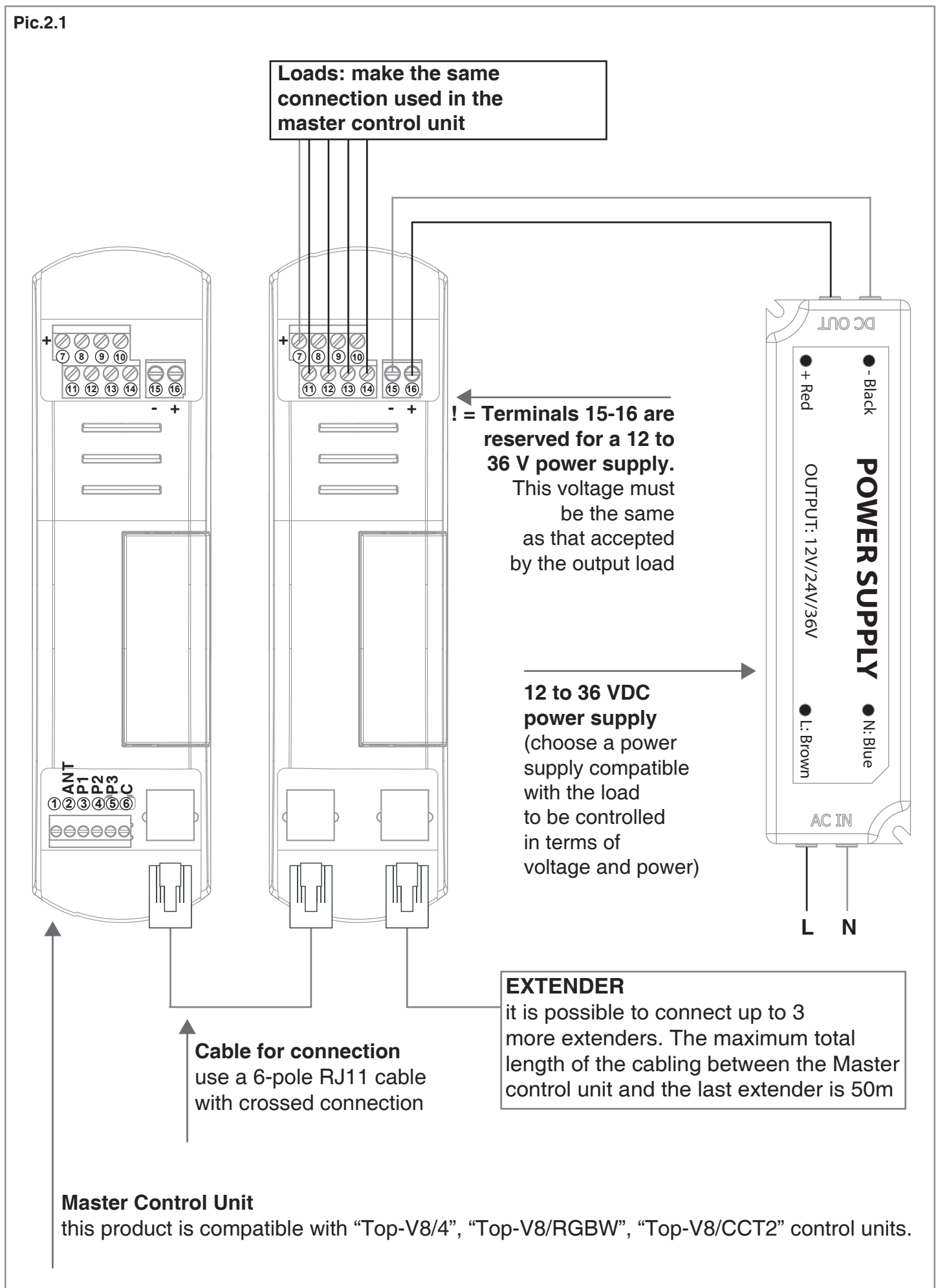
Pic. 1.2d



2 ELECTRICAL CONNECTIONS

2.1 CONNECTION DIAGRAM

Pic.2.1



2.2 DESCRIPTION OF THE CONNECTION

For the connection of the master control unit with the slave control unit (or to connect one slave control unit to another), an RJ11 cable with crossed connection must be used (see Figure 2.2a). Up to a maximum of 4 extenders can be connected, with a total length of cabling between the master control unit and the last extender of 50m, see Figure 2.2b.

Fig.2.2a

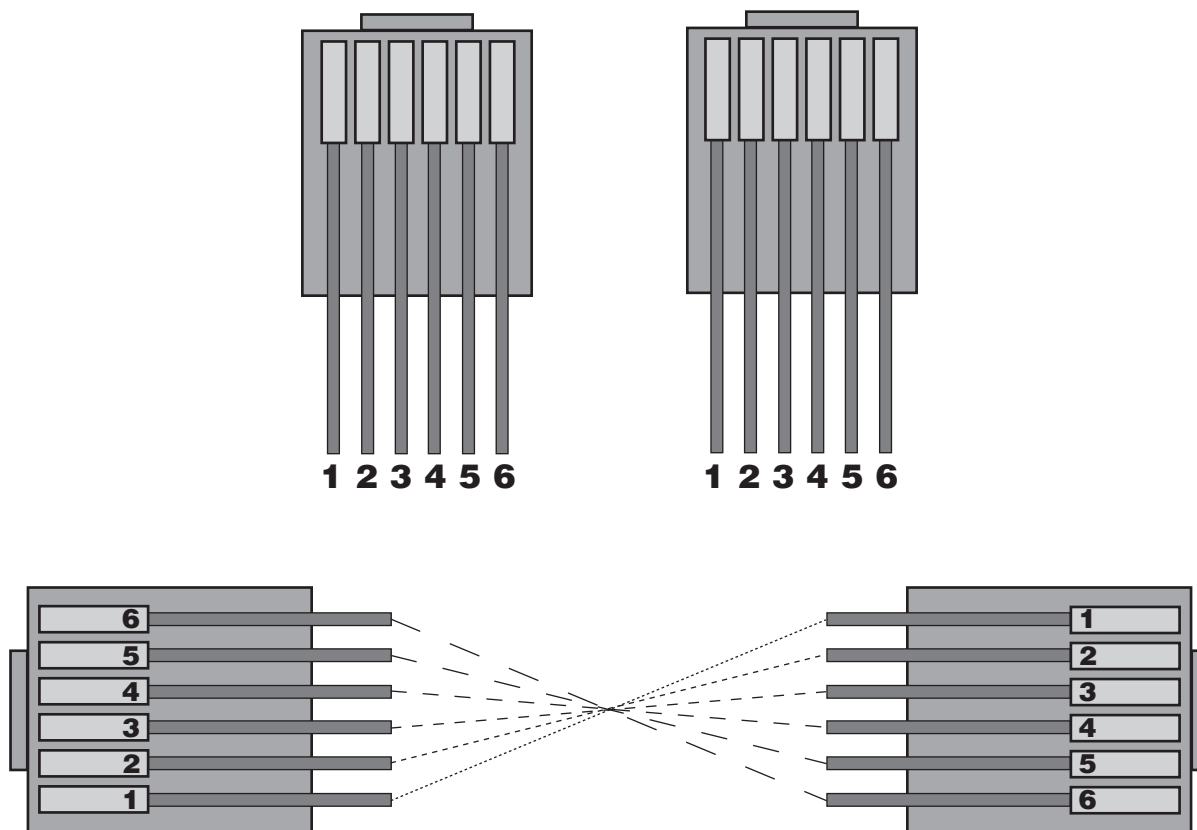
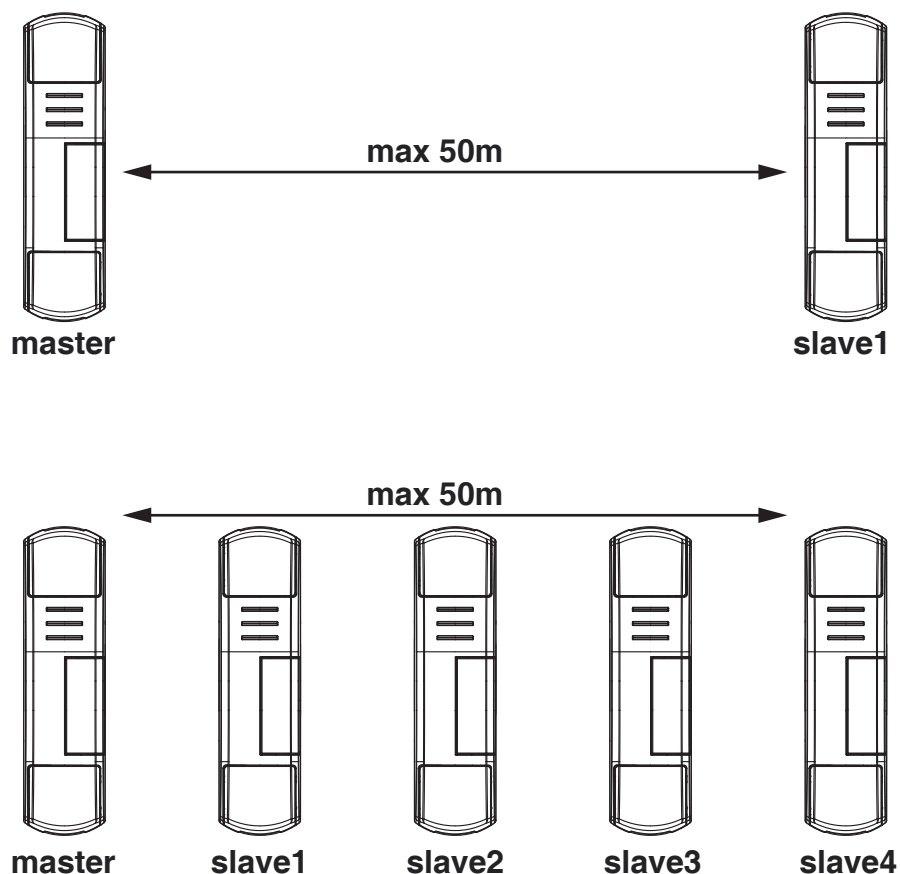


Fig.2.2b



3 USE

The controller does not provide for commands by wire or by radio.

Actually, its function is to exactly replicate the actions of the master control unit.

Any commands by wire or transmitters will therefore have to interface with the master control unit.



MNLTOP-V8/EXT4ENV1.0

Nexta Tech

company brand of Team srl
via G.Oberdan 90, 33074
Fontanafredda (PN) - Italy
Ph. +39 0434 998682
Email: info@nexta-tech.com
Web: www.nexta-tech.com